

The Metriguard Messenger

Celebrating 35 years of service to the forest products industry

15 November 2008

MM-081115

Pullman WA - USA

Bending Proof Tester -- Call for User Input

Your help is requested in designing a new bending proof tester that will advance the capabilities of the Metriguard Model 312 Bending Proof Tester. The new equipment will include setup and data processing capability to handle all US and metric dimension lumber sizes and will include CE markings for use in European countries. Our goal is to provide a machine that will retain the accuracy and precision of the Metriguard Model 312 with expanded capacity. The new machine will have the capacity for testing structural dimension lumber sizes in use throughout the world. Our timeline is to have this machine ready for presentation mid-2009. If you have needs or requirements that you would like to see considered for this new machine, please let us know by email so we can get together with you for discussing your suggestions. Please email [Dean Nelson \(dnelson@metriguard.com\)](mailto:dnelson@metriguard.com), Engineering Manager at Metriguard, with your comments.

We envision an automatic machine that will proceed through a computer driven test protocol of preload, E measurement, and bending proof test, with loading rate and load hold time internally controlled to meet grading agency test standards. Automatic sensors will measure force and deflection to determine E. After setup the operator simply loads the specimen, closes the guard doors and presses a "go" button on the computer after which the machine takes over and runs the test. The data will be saved in standard database format and the system can send reports to a printer or file.

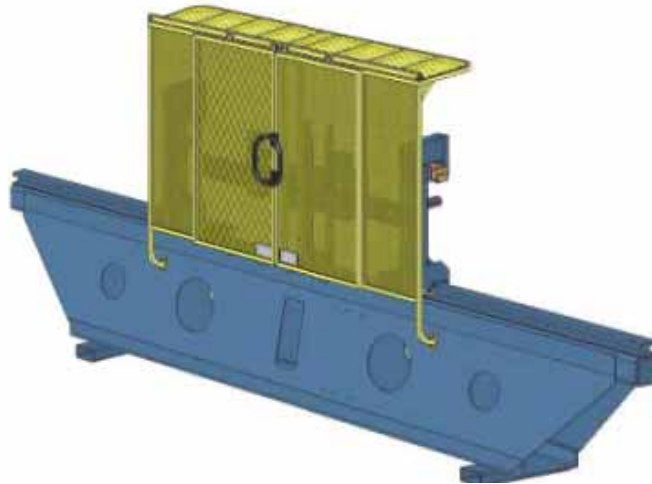


Metriguard Model 312 Bending Proof Tester

Bending Proof Tester Guard System

The new operator guard system for the Metriguard Model 312 Bending Proof Tester is now complete and is available for retrofit on your bending proof tester equipment. Please email sales@metriguard.com for further information or to request a quotation. Service Bulletin 850-0030 describing the system is available at the following link.

<http://www.metriguard.com/images/312%20Operator%20Guard%20Available%20850-0030.pdf>



Operator Guard now available

Food for Thought

History

- Those who do not read and understand history are doomed to repeat it. -- Harry Truman
- If you do not like the past, change it. -- William L. Burton
- The charm of history and its enigmatic lesson consist in the fact that, from age to age, nothing changes and yet everything is completely different. -- Aldous Huxley
- We learn from history that we learn nothing from history. -- George Bernard Shaw
- What experience and history teach is this -- that people and governments never have learned anything from history, or acted on principles. -- George Wilhelm Hegel
- History is a race between education and catastrophe. -- H. G. Wells
- History is more or less bunk. It's tradition. We don't want tradition. We want to live in the present and the only history that is worth a tinker's damn is the history we make today. -- Henry Ford
- History doesn't repeat itself – at best it sometimes rhymes. -- Mark Twain
- Fear not for the future, weep not for the past. -- Percy Bysshe Shelley
- One of the lessons of history is that nothing is often a good thing to do and always a clever thing to say. -- Will Durant

Miscellaneous

- Did you ever notice that if you combine “The” and “IRS”, you get “Theirs”?
 - Write a wise saying and your name will live forever – Anonymous
-

Database Updates

Please let us know if you plan to move to a different location so we can update our database. Just click on the New Subscriber link below and we will be happy to update your e-mail address so you can stay informed about news from Metriguard. You can always re-subscribe to The Metriguard Messenger by visiting the Metriguard website <http://www.metriguard.com/> , or just click on the new subscription link below.

You have been provided a complimentary subscription to The Metriguard Messenger if your e-mail is in the Metriguard Inc database and your record is flagged to receive catalogs. Please feel free to forward this to anyone within your organization that you feel may benefit from the contents.

- **New Subscriber:** mailto:newsreply@metriguard.com?subject=New_Subscription
- Inquiries: mailto:newsreply@metriguard.com?subject=Inquiry_Metriguard_Messenger
- Unsubscribe: mailto:leave@metriguard.com?subject=Cancel_Subscription
- Printable (PDF) version of this newsletter:
http://metriguard.com/images/News/081115/The_Metriguard_Messenger_08-11-15.pdf
- Back issues: http://www.metriguard.com/news_index.htm



© Metriguard Inc 2008
2465 NE Hopkins Court, PO Box 399
Pullman WA 99163 USA
Tel 509-332-7526
Fax 509-332-0485
24 Hour Support Tel 509-332-0554
www.metriguard.com

